

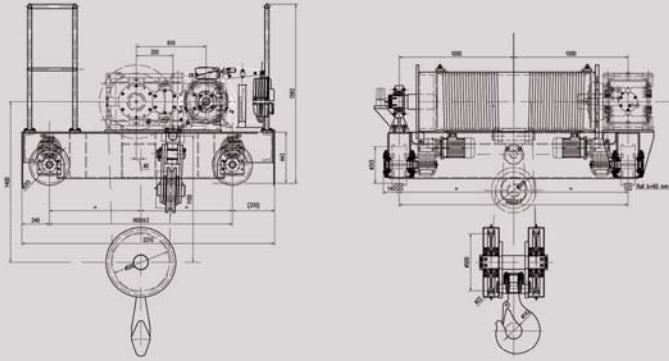
REGEL HEAVY LIFTING

MANUFACTURING & INSTALLATION
OF INDUSTRIAL HANDLING EQUIPMENT

With more than 25 Years of experience in the
engineering field worldwide
based in UE both for the production facilities and the
engineering headquarters

REGEL INDUSTRIAL

installs, services and surveys its range of industrial
Products via
its Asia-based Maintenance Team



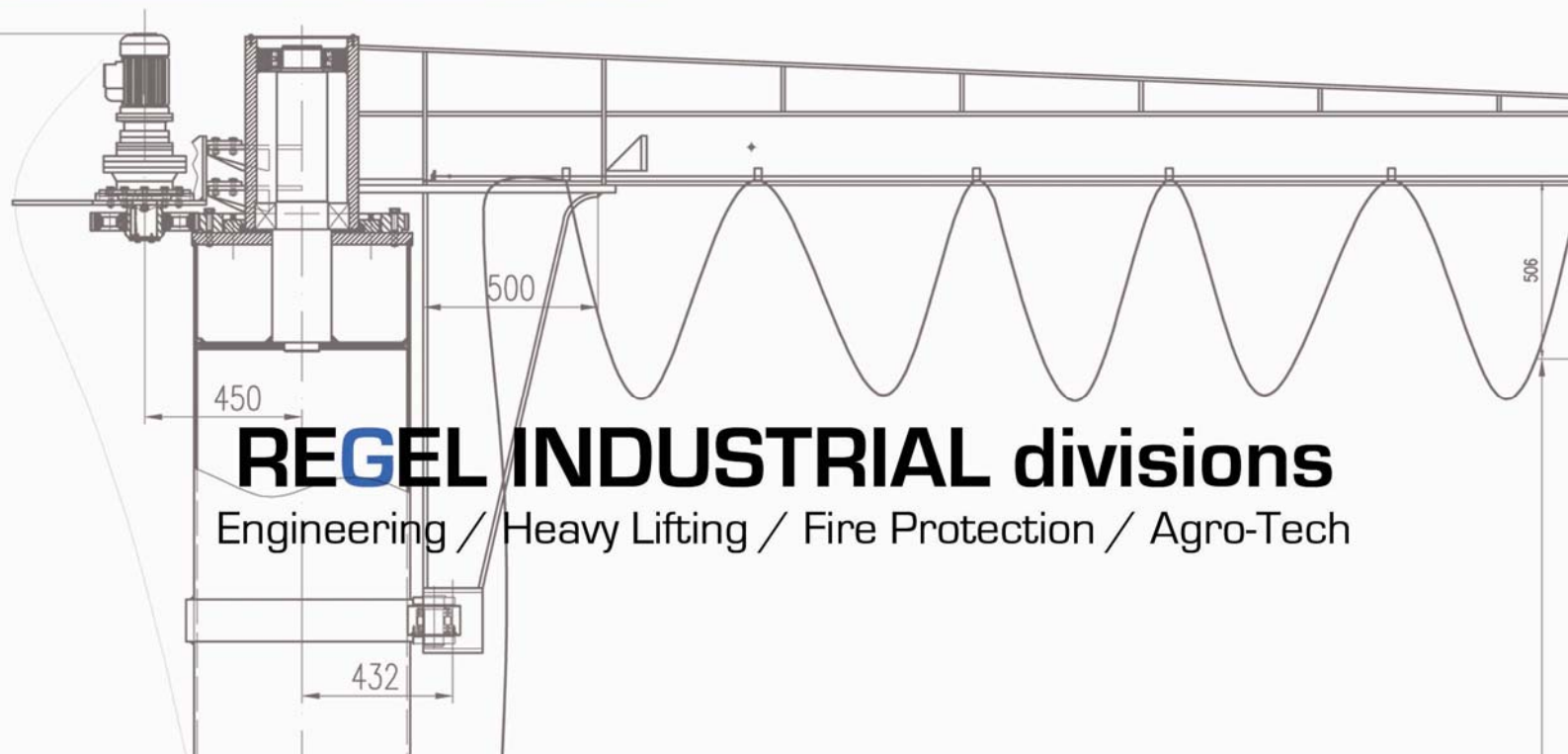
REGEL INDUSTRIAL

UE-MADE

Certificate of UE origin
Attested (legalized) Invoices
Worldwide deliveries

HEAVY LIFTING

Hoists, Winches, Crane-Kits, Jib-Cranes and related accessories sold world-wide with UE CERTIFICATE of ORIGIN and ATTESTED INVOICE
UE-based Crane Manufacturing specialized in Heavy-Duty Lifting Mechanisms.
sound REFERENCE LIST
ASIA-based SERVICE facility with UE highly trained personnel
for Overseas MAINTENANCE and/or scheduled SURVEY



REGEL INDUSTRIAL divisions

Engineering / Heavy Lifting / Fire Protection / Agro-Tech